



LARKS HILL GREEN, WARFIELD
INFORMATION FOR TV/SATELLITE SYSTEM

There is a communal distribution system installed to each block at this development which provides the following services to each apartment:

- All Digital “Freeview” TV and Radio channels locally available.
- All FM radio Channels locally available.
- All DAB radio Channels locally available
- All channels from the “Astra 2” satellite to include all “Sky” and “Freesat” satellite services.
- Sky Q operation, a D-SCR connection has been provided on the SAT2 connection in the lounge. You will need to contact Sky for this service as they will need to provide the equipment, please tell them when ringing that you are on a communal system which has been installed with Sky Q D-SCR connections.

A single set of antennae is installed on the roof with distribution switches being installed in common spaces to provide connections to each property.

The system provides 4 input feeds to each apartment utility cupboard 2 coaxial cables have then been installed to each outlet socket location, the system is setup on handover to provide the following:

- Main Lounge location: All services to the socket location where a Quad socket has been installed TV/Radio/Sat1/Sat2. At this location you can connect a Sky or Freesat satellite receiver and / or connect a Digital TV or Radio tuner and scan for available channels.
- At all other locations either Quad or single sockets have been fitted to which you can connect to a digital TV or radio tuner and scan for available channels any satellite sockets will not be live at completion.

At the utility cupboard location the incoming signals can be re-configured to provide services as required to enable whatever is needed.

Please see the attached schematic for details of the internal cabling configurations together with a cable schedule (which is also provided in the box in the utility cupboard).

If you require any advice, service or we can be of assistance, please do not hesitate to contact me.

Yours sincerely,

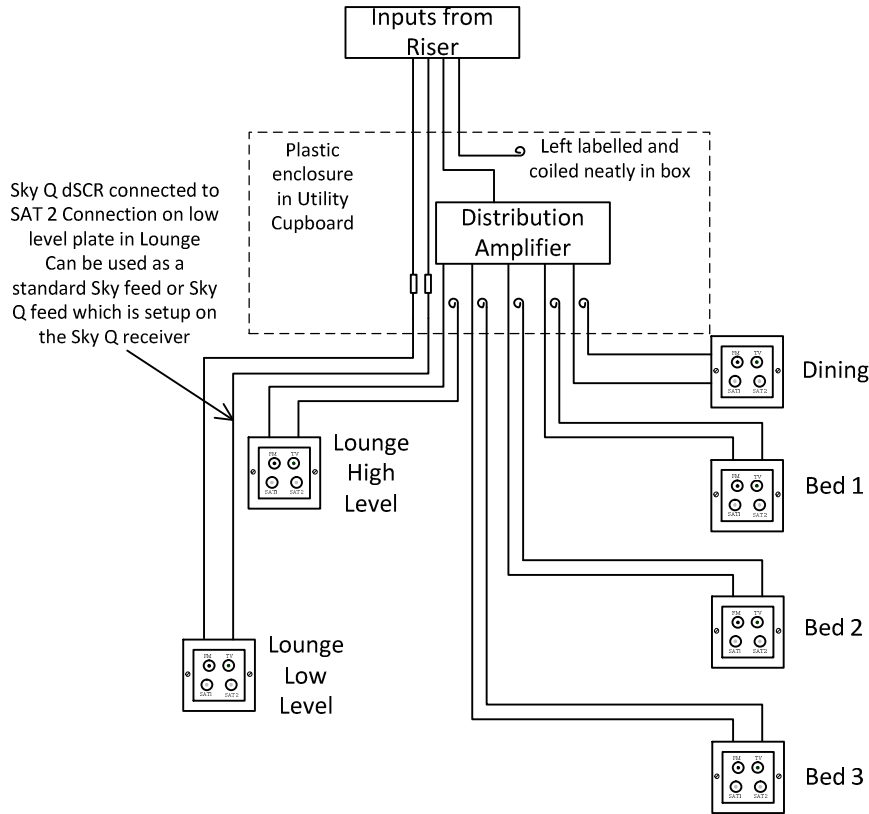
David Austin
Partner



Capital Aerials LLP
Unit 6, The Lion Centre, Hanworth Trading Estate
Hampton Road West, Hanworth, Middlesex TW13 6DS



Typical Apartment setup on completion
Actual will differ dependant on apartment layouts



All apartment cabling, labelled with spare cables left coiled in the box see above cable schedule for reference
 Only TV & Radio sockets are operational at commissioning on sockets fed from the distribution amplifier

Cable Schedule	
Number	Location
1	Apartment Input from riser
2	Apartment Input from riser Sky Q Switch Feed
3	Apartment Input from riser
4	Apartment Input from riser
5	Lounge Low level Socket TV/Radio/Sat1
6	Lounge Low level Socket Sat2 Sky Q operation
7	Lounge High Level Socket TV/Radio
8	Lounge High Level Socket Sat2 (not connected)
9	Master Bed TV/Radio
10	Master Bed Sat2 (not connected)
11	Bedroom 2 TV/Radio
12	Bedroom 2 Sat 2 (not connected)
13	Bedroom 3 TV/Radio
14	Bedroom 3 Sat 2 (not connected)
15	Dining Room
16	Dining Room Sat 2 (not connected)